



SANWAY AUDIO

<https://www.china-sanway.com>

12CX76N

12in Coax Speaker

Features

- 3in Voicecoil
- 70° Conical Dispersion
- Neodymium Magnet

Specifications

Nominal Diameter	320mm (12in)
Nominal Impedance	8Ω LF / 16Ω HF
Magnet Material	Neodymium
Frequency Range	50 - 18000Hz

Low Frequency Unit

Nominal Power (AES) ¹	400W
Program Power ²	800W
Sensitivity (1W/1m) ³	98dB
Voice Coil Diameter	76mm (3in)

High Frequency Unit

Nominal Power (AES) ¹	80W
Program Power ²	160W
Sensitivity (1W/1m) ³	105dB
Voice Coil Diameter	76mm (3in)

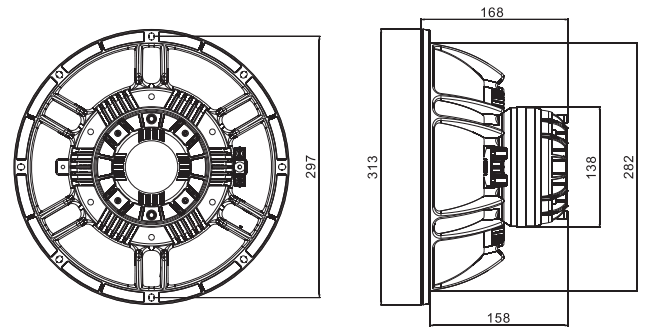
Thiele & Small Parameters

Fs	52.0Hz
Qes	0.35
Qts	0.34
Qms	14.6
Re	5.3Ω
Sd	552cm ²
Vas	65.1L
BxL	17.8Tm
Mms	61.9g
Le (1kHz)	0.5mH
Xmax (lin.) ⁴	±4mm

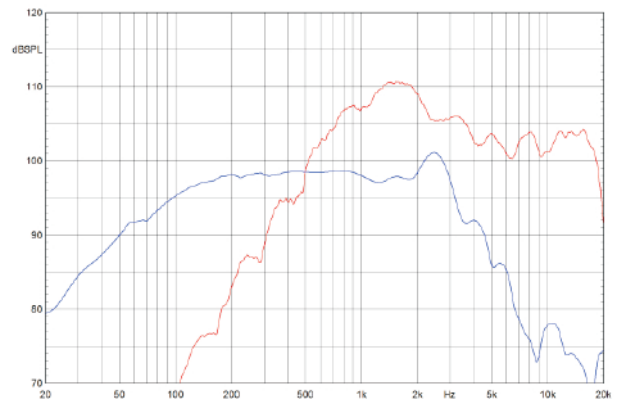
Mounting Information

Overall Diameter	313mm
Mounting Holes Diameter	8x 8mm x 6,5mm
Bolt Circle Diameter	297mm
Baffle Cutout	283mm
Overall Depth	168mm
Net Weight	5.1kg

- Notes: 1 2 hours test with pink noise (6dB crest) between Fs and 10Fs.
 Power calculated on rated minimum impedance.
 2 Program Power is defined as 3dB greater than the AES Power
 3 RMS Voltage set to 2.83V at nominal impedance
 4 Xmax is defined as (Hc - Hg)/2



Frequency response measured in a quasi-infinite baffle



Impedance for 16Ω driver

