



SANWAY AUDIO

<https://www.china-sanway.com>

## Features

- Neodymium Magnet
- 3in Diaphragm
- 1.4in Horn Exit

## Specifications

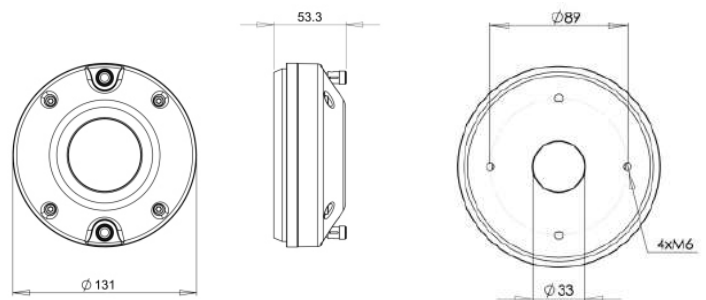
Throat Diameter	35mm (1.4in)
Nominal Power (AES) <sup>1</sup>	100W
Program Power <sup>2</sup>	200W
Sensitivity (1W/1m) <sup>3</sup>	105dB
Voice Coil Diameter	76mm (3in)
Magnet Material	Neodymium
Nominal Impedance	24Ohms
Frequency Range	700 1 9000Hz
Recommended Crossover <sup>4</sup>	1.2kHz
Diaphragm Material	Titanium

## Mounting Information

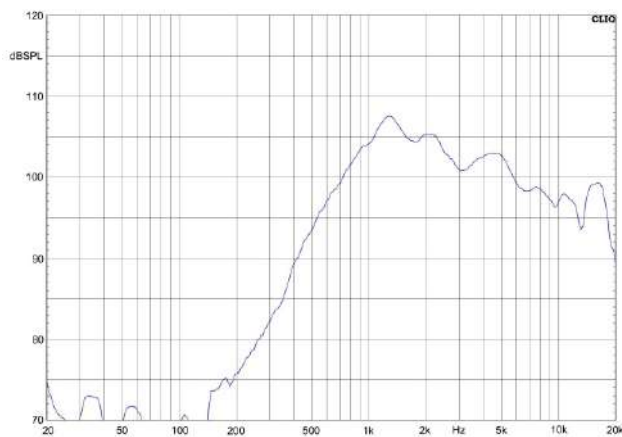
Overall Diameter	131mm
Mounting Holes Diameter	4x M6, 89mm
Overall Depth	53.3mm
Net Weight	2.4kg

# DE910-24

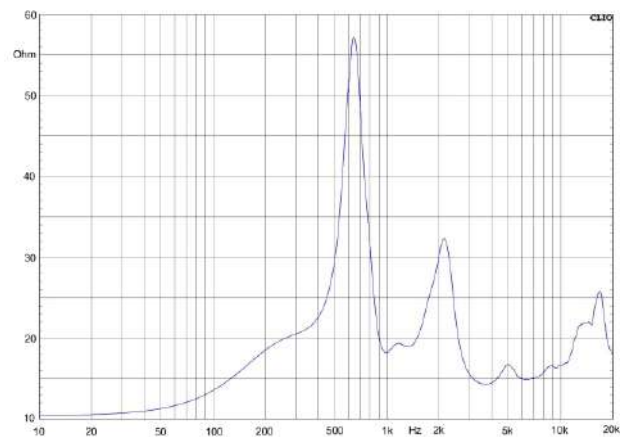
## 3in Compression Driver



Frequency response measured at 90°x50° horn



Impedance for 24 Ohm driver



**Notes:** 1 2 hours test with pink noise (6dB crest) from recommended crossover frequency. Power calculated on rated minimum impedance.  
 2 Program Power is defined as 3dB greater than the AES Power  
 3 RMS Voltage set to 2.83V at nominal impedance  
 4 12dB/octave or higher slope high pass filter