



SANWAY AUDIO

<https://www.china-sanway.com>

15NW100

15in Low Frequency Speaker

Features

- 4in Voicecoil
- High Power
- Neodymium Magnet
- Advanced Cooling System



Specifications

Nominal Diameter	380mm (15in)
Nominal Power (AES) ¹	800W
Program Power ²	1600W
Sensitivity (1W/1m) ³	98dB
Voice Coil Diameter	100mm (4in)
Magnet Material	Neodymium
Nominal Impedance	8Ω
Frequency Range	51 - 3000Hz

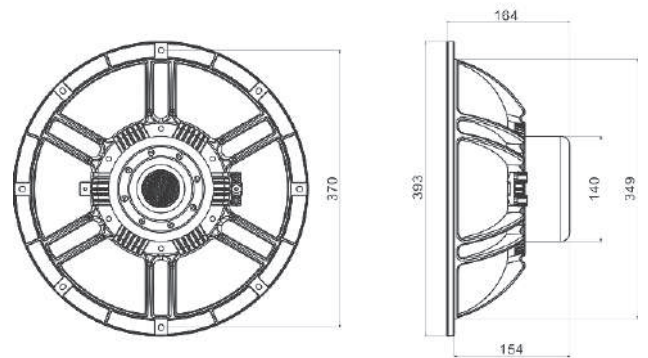
Thiele & Small Parameters

Fs	51.3Hz
Qes	0.44
Qts	0.42
Qms	7.8
Re	4.7Ω
Sd	840cm ²
Vas	83.9L
BxL	19.7Tm
Mms	113.1g
Le (1kHz)	0.9mH
Xmax (lin.) ⁴	±4.5mm

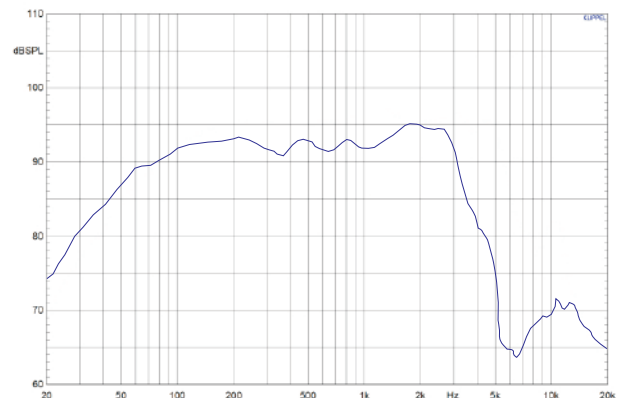
Mounting Information

Overall Diameter	393mm
Mounting Holes Diameter	8x 8mm x 6.5mm
Bolt Circle Diameter	370mm
Baffle Cutout	350mm
Overall Depth	164mm
Net Weight	6.7kg

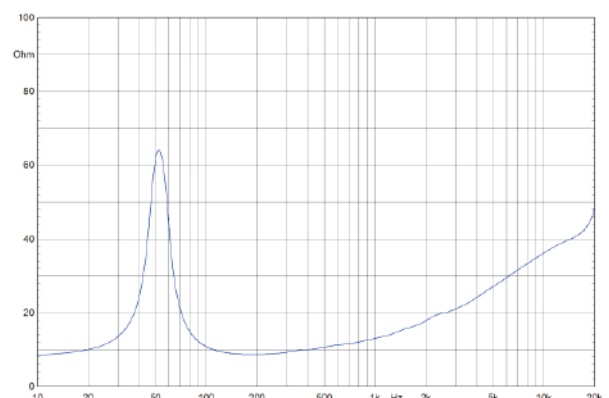
- Notes:**
- 1 2 hours test with pink noise (6dB crest) between Fs and 10Fs. Power calculated on rated minimum impedance.
 - 2 Program Power is defined as 3dB greater than the AES Power
 - 3 RMS Voltage set to 2.83V at nominal impedance
 - 4 Xmax is defined as (Hc - Hg)/2



Frequency response measured in a quasi-infinite baffle



Impedance for 8Ω driver



<https://www.china-sanway.com>