



# 12NSW100

## 12in Low Frequency Driver

### Features

- 4in Voicecoil
- Neodymium Magnet
- High Power



### Specifications

Nominal Diameter	320mm (12in)
Nominal Power (AES) <sup>1</sup>	1000W
Program Power <sup>2</sup>	2000W
Sensitivity (1W/1m) <sup>3</sup>	91dB
Voice Coil Diameter	100mm (4in)
Magnet Material	Neodymium
Nominal Impedance	8Ω
Frequency Range	40 - 1500Hz

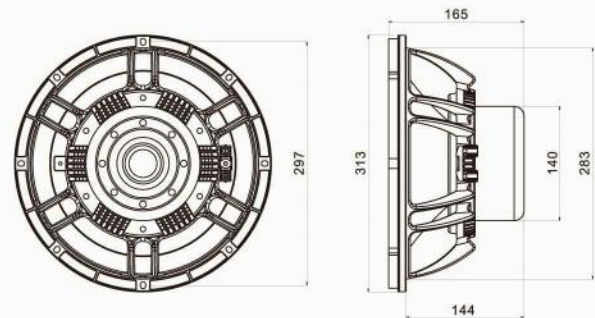
### Thiele & Small Parameters

Fs	39.1Hz
Qes	0.30
Qts	0.29
Qms	11.2
Re	5.2Ω
Sd	491cm <sup>2</sup>
Vas	40.2L
BxL	24.1Tm
Mms	138.7g
Le (1kHz)	1.3mH
Xmax (lin.) <sup>4</sup>	±7.5mm

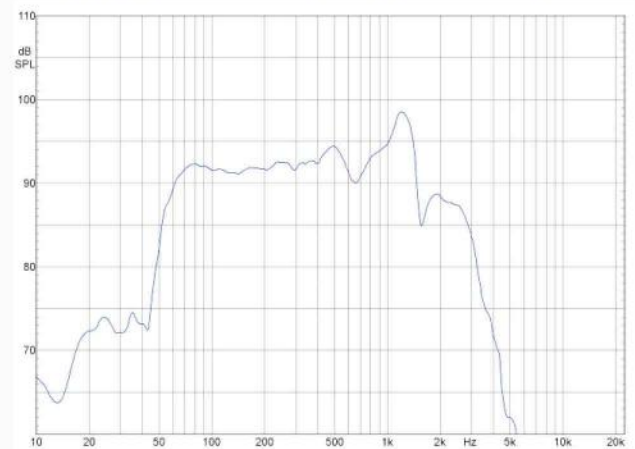
### Mounting Information

Overall Diameter	313mm
Mounting Holes Diameter	8x 8mm x 6.5mm
Bolt Circle Diameter	297mm
Baffle Cutout	284mm
Overall Depth	165mm
Net Weight	6.7kg

- Notes:**
- 1 2 hours test with pink noise (6dB crest) between Fs and 10Fs. Power calculated on rated minimum impedance.
  - 2 Program Power is defined as 3dB greater than the AES Power
  - 3 RMS Voltage set to 2.83V at nominal impedance
  - 4 Xmax is defined as (Hc - Hg)/2



Frequency response measured in a vented enclosure with 40l, tuned at 80Hz



Impedance for 8Ω driver

